



DEPARTMENT OF REGULATORY AND ECONOMIC RESOURCES (RER)
BOARD AND CODE ADMINISTRATION DIVISION

MIAMI-DADE COUNTY
PRODUCT CONTROL SECTION
11805 SW 26 Street, Room 208
T (786) 315-2590 F (786) 315-2599
www.miamidade.gov/economy

NOTICE OF ACCEPTANCE (NOA)

Dorma Door Control, Inc.
1003 West Broadway
Steelville, IL 62288

SCOPE:

This NOA is being issued under the applicable rules and regulations governing the use of construction materials. The documentation submitted has been reviewed and accepted by Miami-Dade County RER-Product Control Section to be used in Miami-Dade County and other areas where allowed by the Authority Having Jurisdiction (AHJ).

This NOA shall not be valid after the expiration date stated below. The Miami-Dade County Product Control Section (in Miami-Dade County) and/ or the AHJ (in areas other than Miami-Dade County) reserve the right to have this product or material tested for quality assurance purposes. If this product or material fails to perform in the accepted manner, the manufacturer will incur the expense of such testing and the AHJ may immediately revoke, modify, or suspend the use of such product or material within their jurisdiction. RER reserves the right to revoke this acceptance, if it is determined by Miami-Dade County Product Control Section that this product or material fails to meet the requirements of the applicable building code.

This product is approved as described herein, and has been designed to comply with the Florida Building Code, including the High Velocity Hurricane Zone.

DESCRIPTION:

Dorma Series "9500" Mortise Panic Exit Device (Single Door App) - Component Approval - LMI

APPROVAL DOCUMENT: Drawing No. 9500-1 DADE, titled "DORMA 9500/ F9500 Mortise Panic Exit Device on Single Outswing Steel Door (Flush/ Louvered)", sheets 1 through 2 of 2, dated 07/21/14, with revision "3" dated 06/16/15, issued by Building Drops, Inc., signed and sealed by Hermes F. Norero, P.E., bearing the Miami-Dade County Product Control Revision stamp with the Notice of Acceptance number and expiration date by the Miami-Dade County Product Control Section.

MISSILE IMPACT RATING: Large and Small Missile Impact Resistant

LIMITATION:

1. The Mortise Panic Exit device is limited to be used in Single Outswing Steel (Flush/ Louvered) door system only.
2. The Single Door System (16 ga. frame & 18 ga. door, under separate approval & must meet specifications per sheets 1 & 2. Lower Design Pressure of this component approval or the door approval shall control for the entire assembly.
3. This Component is not rated, where Air & Water infiltration is required.
4. Electrical devices, fire rating and egress requirements are not part of the review and such application to be reviewed and approved by AHJ (Authority Having Jurisdiction).

RENEWAL of this NOA shall be considered after a renewal application has been filed and there has been no change in the applicable building code negatively affecting the performance of this product.

TERMINATION of this NOA will occur after the expiration date or if there has been a revision or change in the materials, use, and/ or manufacture of the product or process. Misuse of this NOA as an endorsement of any product, for sales, advertising or any other purposes shall automatically terminate this NOA. Failure to comply with any section of this NOA shall be cause for termination and removal of NOA.



RP 3/2/16

NOA No. 15-0630.09
Expiration Date: March 12, 2020
Approval Date: March 10, 2016
Page 1



DEPARTMENT OF REGULATORY AND ECONOMIC RESOURCES (RER)
BOARD AND CODE ADMINISTRATION DIVISION

NOTICE OF ACCEPTANCE (NOA)

MIAMI-DADE COUNTY
PRODUCT CONTROL SECTION
11805 SW 26 Street, Room 208
T (786) 315-2590 F (786) 315-2599
www.miamidade.gov/economy

Dorma Door Control, Inc.
1003 West Broadway
Steelville, IL 62288

ADVERTISEMENT:

The NOA number preceded by the words Miami-Dade County, Florida, and followed by the expiration date may be displayed in advertising literature. If any portion of the NOA is displayed, then it shall be done in its entirety.

INSPECTION:

A copy of this entire NOA shall be provided to the user by the manufacturer or its distributors and shall be available for inspection at the job site at the request of the Building Official.

This NOA revises NOA No. 14-0814.02 and consists of these pages 1 and 2, and evidence pages E-1 and E-2, as well as approval document mentioned above.

The submitted documentation was reviewed by **Jorge M. Plasencia, P.E.**



Handwritten signature and date: 3/2/16

NOA No. 15-0630.09
Expiration Date: March 12, 2020
Approval Date: March 10, 2016
Page 2

NOTICE OF ACCEPTANCE: EVIDENCE SUBMITTED

A. DRAWINGS

1. Manufacturer's die drawings and sections.
(Submitted under previous NOA No. 14-0814.02)
2. Drawing No. 9500-1 DADE, titled "DORMA 9500/ F9500 Mortise Panic Exit Device on Single Outswing Steel Door (Flush/ Louvered)", sheets 1 through 2 of 2, dated 07/21/14, with revision "3" dated 06/16/15, issued by Building Drops, Inc., signed and sealed by Hermes F. Norero, P.E.

B. TESTS

1. Test reports on: 1) Air Infiltration Test, per FBC, TAS 202-94 (Not Performed)
2) Uniform Static Air Pressure Test, Loading per FBC TAS 202-94
3) Water Resistance Test, per FBC, TAS 202-94 (Not Performed)
4) Large Missile Impact Test per FBC, TAS 201-94
5) Cyclic Wind Pressure Loading per FBC, TAS 203-94
along with marked-up drawings and installation diagram of Dorma's series 9500 in Single Outswing (Flush/Louvered), prepared by Intertek, Test Report No. ITS-101458528MID-002, dated 07/09/14, signed and sealed by Rick Curkeet, P.E.
(Submitted under previous NOA No. 14-0814.02)

C. CALCULATIONS

1. Engineering evaluation & anchor verification calculation dated 08/12/1214, prepared by Building Drops Inc., signed and sealed by Hermes F. Norero, P.E.
(Submitted under previous NOA No. 14-0814.02)

D. QUALITY ASSURANCE

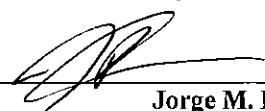
1. Miami-Dade Department of Regulatory and Economic Resources (RER).

E. MATERIAL CERTIFICATIONS

1. None (N/A).

F. STATEMENTS

1. Statement letter of conformance, complying with **FBC-5th Edition (2014)**, and of no financial interest, dated 06/16/15, issued, signed and sealed by Hermes F. Norero, P.E.
2. Laboratory addendum letter for Test Report No. ITS-101458528MID-002, dated 11/19/14, issued by Intertek Testing Lab, Inc., signed and sealed by Rick Curkeet, P.E.
(Submitted under previous NOA No. 14-0814.02)
3. Laboratory compliance letter for Test Report No. 101458528MID-002, dated 07/09/14, issued by Intertek Testing Lab, Inc., signed and sealed by Rick Curkeet, P.E.
(Submitted under previous NOA No. 14-0814.02)



Jorge M. Plasencia, P.E.
Product Control Unit Supervisor
NOA No. 15-0630.09
Expiration Date: March 12, 2020
Approval Date: March 10, 2016

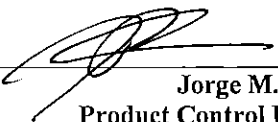
NOTICE OF ACCEPTANCE: EVIDENCE SUBMITTED

F. STATEMENTS (CONTINUED)

4. Proposal No. **13-1293-R** issued by the Product Control Section, dated 03/07/14, signed by Ishaq Chanda, P.E.
(Submitted under previous NOA No. 14-0814.02)
5. Merger agreement between Dorma Door Control, Inc. and Dorma Steelville, Inc. dated 02/28/03, both signed by Paul T. Kosakowaski, president.
(Submitted under previous NOA No. 14-0814.02)

G. OTHERS

1. Notice of Acceptance No. **14-0814.02**, issued to Dorma Door Control, Inc., for their "Dorma Series 9500 Mortise Panic Exit Device (Single Door App) – Component Approval – LMI", approved on 03/12/15 and expiring on 03/12/20.
2. Dorma's panic exit device technical publications and catalogs.
(Submitted under previous NOA No. 14-0814.02)

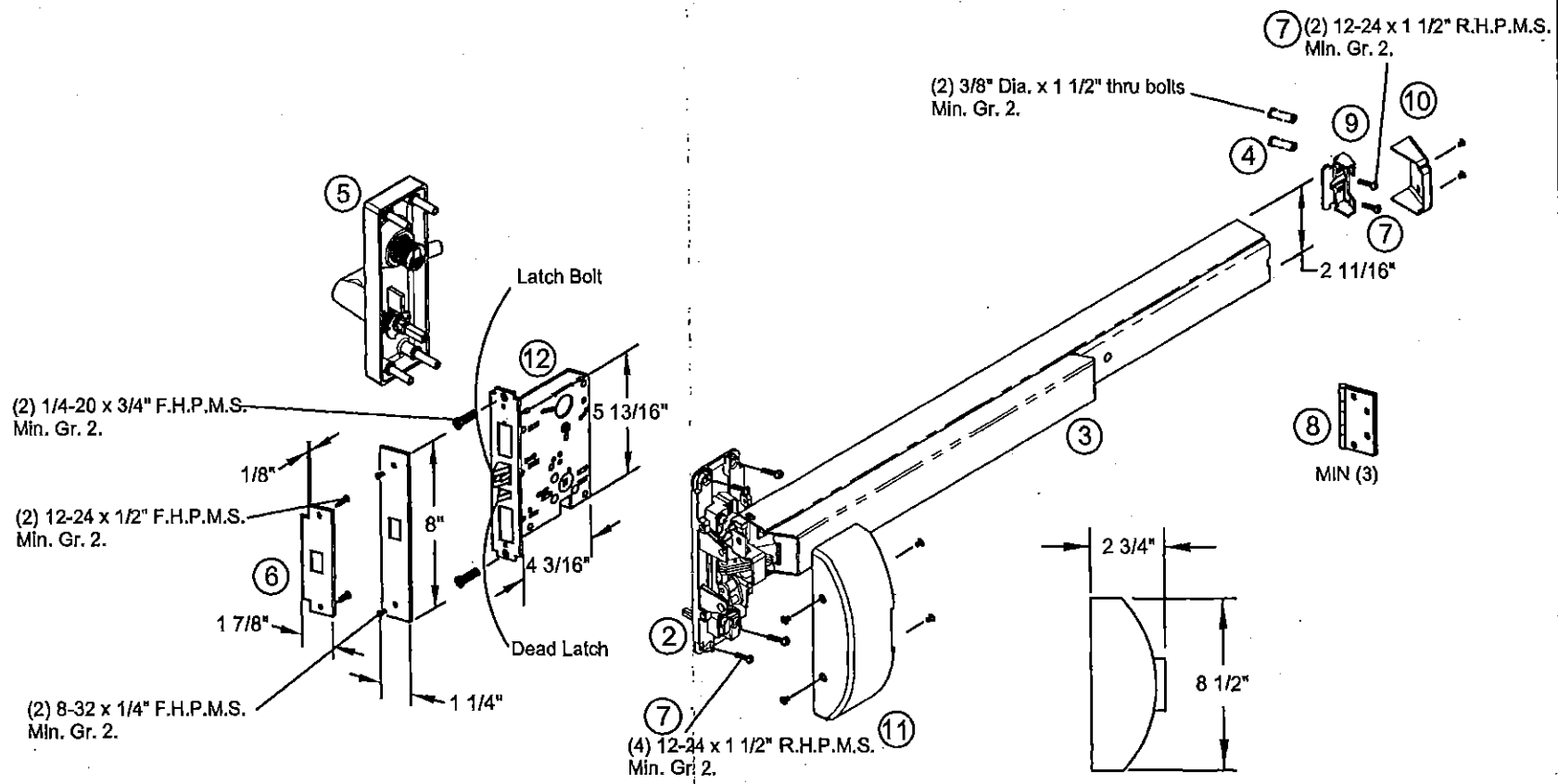


Jorge M. Plasencia, P.E.
Product Control Unit Supervisor
NOA No. 15-0630.09
Expiration Date: March 12, 2020
Approval Date: March 10, 2016

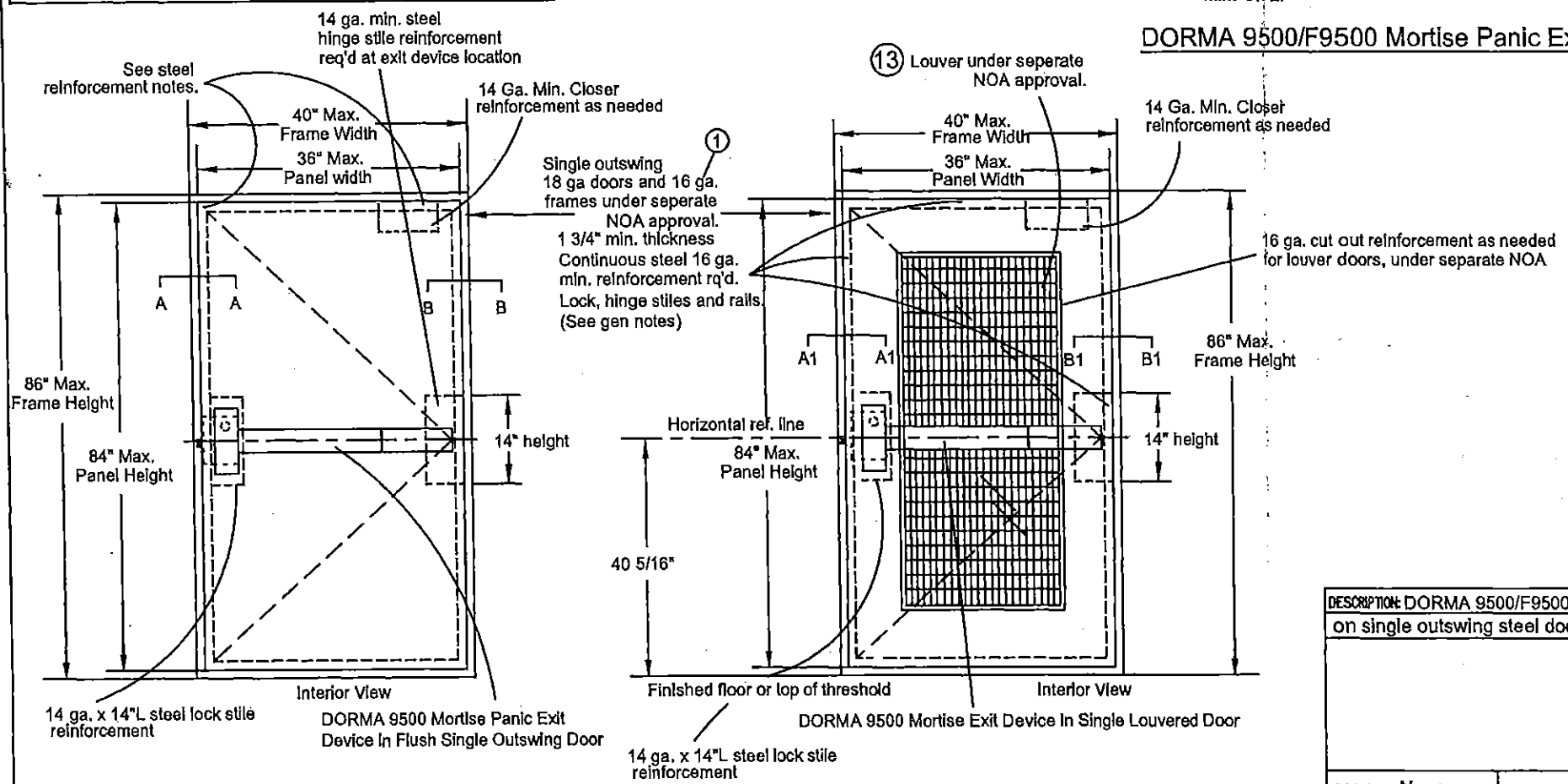
DORMA 9500/F9500 Mortise Exit Device			
Bill of material per device			
Item	Description	Pt. No.	Qty.
1	Approved 18 ga door and 16 ga frame	Under sep. NOA	1
2	DORMA 9500 Chassis	Aluminum	1
3	Touch bar and rail assy.		1
4	Thru bolts (Steel)		2-6
5	Outside trim assembly	See trim notes	1
6	Strike (11ga. CR steel)	Model# 95HC	1
7	12-24 x 1 1/2" PHRHMS	Steel	6
8	Hinges (Steel) (Min. 3)	Part of sep. NOA	3
9	End cap bracket (Steel)		1
10	End cap (Stainless)		1
11	Chassis cover (Stainless)		1
12	Mortise lock body (Steel)		1
13	Louver inserts	Part of sep. NOA	1
14	Core complying with FBC	Part of sep. NOA	-
15	Face Plate		1
Door & Frame Reinforcements		See Gen. Notes	

DORMA 9500/F9500 Mortise Panic Exit Device Component Approval	
(Where Air & Water Infiltration Ratings are <u>not</u> needed.)	
Design Pressure - Single Outswing Door Application	
Positive	60 PSF
Negative	60 PSF

DORMA 9500/F9500 Series Mortise Panic Exit Device (Component) Application
On Impact Single (Flush or Louvered) Outswing
Steel Doors Having Current NOA or Current HVHZ Florida State Approval



DORMA 9500/F9500 Mortise Panic Exit Device (Component Approval)



GENERAL NOTES

Limitations:
1. This component device is approved to be used as an equal alternate locking device in applicable 16 ga. (0.053" min. with F_{ymin}=48.5 ksi) frame and outswing 18 ga. (0.045" min.) commercial steel door holding a current NOA. Lowest design pressure rating applies.
2. Steel reinforcement by door mfg. (required as indicated on the detail drawing in this set.)
3. Electrical devices and fire rating are not part of this approval and must be reviewed by authority having jurisdiction in the area. (AHJ)
Certifications:
Underwriter's Laboratories - UL10C, UBC7-2 (1997) ANSI/BHMA A156.3 Grade 1 Exit device 3/4" latch bolt throw with dead latch.
Frame - Steel 16 ga. (0.053" min.)
Hinge reinforcements of 9 ga. (0.132" min) steel at ea. hinge location
Frame Strike 14 ga. steel (0.071" min.) reinforcement
Door - Steel Skin 18 ga. (0.045" min.). Lock and Hinge stiles and top and bottom rails reinforced with full length 16 ga. (0.053" min.) steel channel. Cut out reinforcement of 16 ga. (0.053" min.) steel channel applicable to louver kit only.
Lock & Hinge stiles reinforced by 14 ga. steel (0.071" min.), 14" length, reinforcement at exit device location.
Closer reinforcement of 14 ga. (0.071" min.) steel at ea. closer hardware location as required.
Hinge reinforcements of 9 ga. (0.132" min) steel at ea. hinge location.
Strikes, hinges, and header reinforcement as required on detail drawing.
All reinforcements to be spot welded or better by door manufacturer.
All dimensions in accordance with the manufacturer's standard installation instructions for Model DORMA 9500 series mortise panic device.
Outside trim may be one of following models: YODT, Y*25, YP02, YP03/04, YP11/12, Y*08/09, Y123.
Thru bolts (Item #4) must be used on all installations as shown.

Building Drops, Inc.
398 E. Dania Beach Blvd.
Dania Beach, FL 33004
FBPE Cert. of Authorization No. 29578
6-17-2015
James F. Norder, P.E.
Florida License No. 73718

PRODUCT REVISED
as complying with the Florida Building Code
NOA-No. **15-0630.09**
Expiration Date **03/12/2020**
By *[Signature]*
Miami-Pade Product Control

DESCRIPTION: DORMA 9500/F9500 Mortise Panic Exit Device	
On single outswing steel doors (flush or louvered).	
SCALE: None	DRAWN BY: TA
DATE: 4-21-14	CHKD BY: SM
DATE: 7/23/14	

DORMA

DORMA Door Controls, Inc.
1003 W. BROADWAY
STEELEVILLE, ILLINOIS 62288

5th Edition FBC Update	3	LS	6-16-15
Revise per MD	2	MS	12/3/14
Revise notes	1	TA	7/23/14
REVISIONS		NO.	BY
DATE			
Sheet 1 of 2		DWG. NO. 9500-1 DADE	

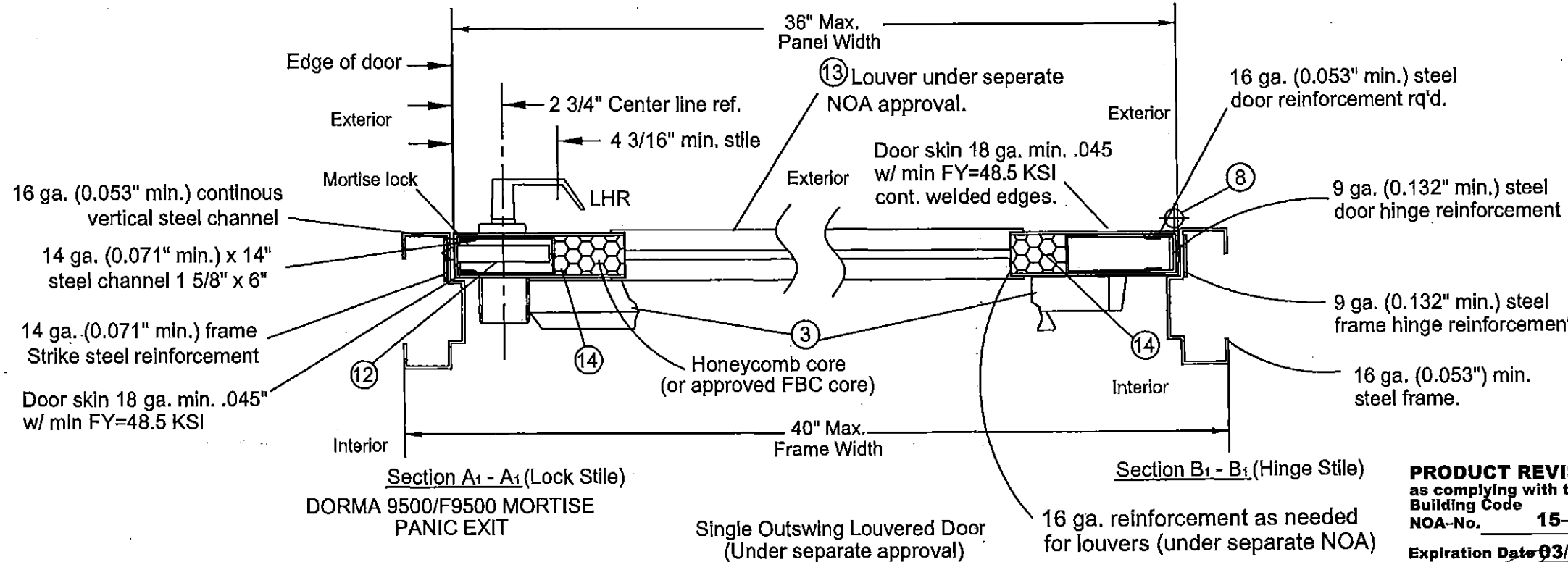
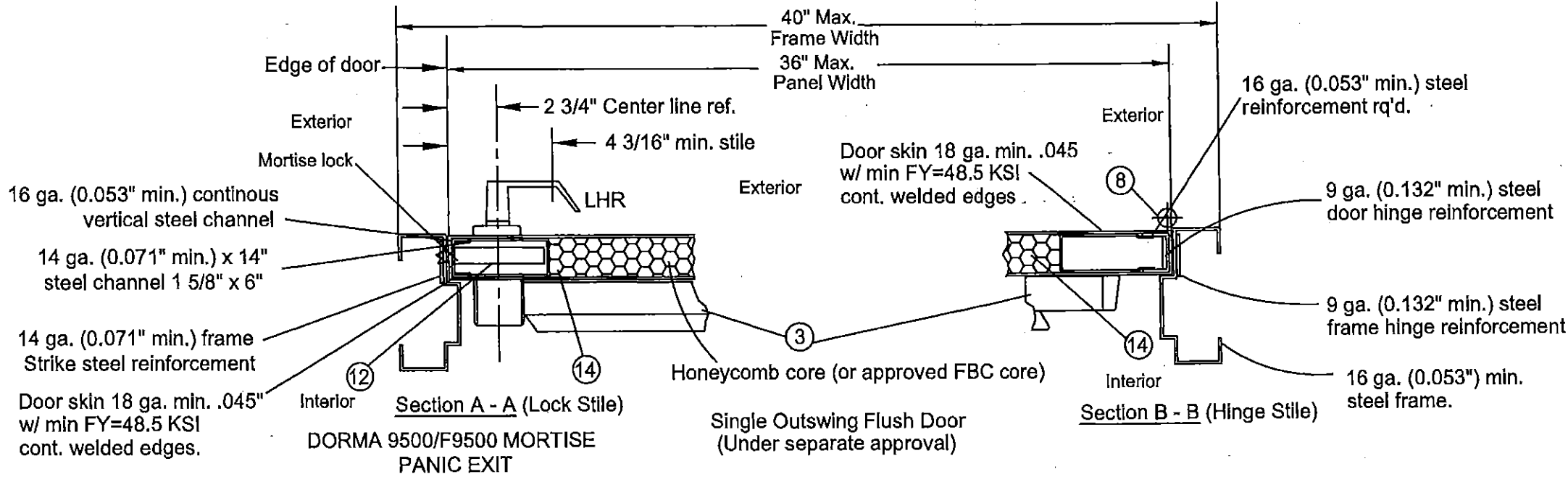
**DORMA 9500/F9500 Series Mortise Panic Exit Device (Component) Application
On Impact Single (Flush or Louvered) Outswing
Steel Doors Having Current NOA or Current HVHZ Florida State Approval**

GENERAL NOTES

Limitations:
 1. This component device is approved to be used as an equal alternate locking device in applicable 16 ga. (0.053" min. with $F_{ymin}=48.5$ ksi) frame and outswing 18 ga. (0.045" min.) commercial steel door holding a current NOA. Lowest design pressure rating applies.
 2. Steel reinforcement by door mfg. (required as indicated on the detail drawing in this set.)
 3. Electrical devices and fire rating are not part of this approval and must be reviewed by authority having jurisdiction in the area. (AHJ)
 Certifications:
 Underwriter's Laboratories - UL10C, UBC7-2 (1997) ANSI/BHMA A156.3 Grade 1 Exit device 3/4" latch bolt throw with dead latch.
 Frame - Steel 16 ga. (0.053" min.)
 Hinge reinforcements of 9 ga. (0.132" min) steel at ea. hinge location
 Frame Strike 14 ga. steel (0.071" min.) reinforcement
 Door - Steel Skin 18 ga. (0.045" min.). Lock and Hinge stiles and top and bottom rails reinforced with full length 16 ga. (0.053" min.) steel channel.
 Cut out reinforcement of 16 ga. (0.053" min.) steel channel applicable to louver kit only.
 Lock & Hinge stiles reinforced by 14 ga. steel (0.071" min.), 14" length, reinforcement at exit device location.
 Closer reinforcement of 14 ga. (0.071" min.) steel at ea. closer hardware location as required.
 Hinge reinforcements of 9 ga. (0.132" min) steel at ea. hinge location.

Strikes, hinges, and header reinforcement as required on detail drawing.
 All reinforcements to be spot welded or better by door manufacturer.
 All dimensions in accordance with the manufacturer's standard Installation Instructions for Model DORMA 9500 series mortise panic device.
 Outside trim may be one of following models: YODT, Y*25, YP02, YP03/04, YP11/12, Y*08/09, Y*23.
 Thru bolts (item #4) must be used on all installations as shown.

Building Drops, Inc.
 398 E. Danla Beach Blvd.
 Danla Beach, FL 33004
 FBPE Cert. of Authorization No. 2957 No. 7327



PRODUCT REVISED
 as complying with the Florida Building Code
 NOA-No. **15-0630.09**
 Expiration Date **03/12/2020**
 By *[Signature]*
 Miami-Dade Product Control

DORMA 9500/F9500 Mortise Panic Exit Device - Component Approval	
(Where Air & Water Infiltration Ratings are <u>not</u> needed.)	
Design Pressure - Single Outswing Door Application	
Positive	60 PSF
Negative	60 PSF

DESCRIPTION: DORMA 9500/F9500 Mortise Panic Exit Device on single outswing steel doors (flush or louvered).

DORMA Door Controls, Inc.
 1003 W. BROADWAY
 STEELEVILLE, ILLINOIS 62288

SCALE: None DRAWN BY: TA DATE: 4-21-14

CHKD BY: SM DATE: 7/23/14

5th Edition FBC Update	3	LS	6-16-15
Revise per MD	2	MS	12/3/14
Revise notes	1	TA	7/23/14
REVISIONS	NO.	BY	DATE

Sheet 2 of 2
 DWG. NO. **9500-1 DADE**